

PowerPac For Cordless Starter Power Connecting Two Powerpacs on Sullivan Dynatron Starter

Diagram #1

Instructions

1) Stack the two PowerPacs on top of each other. Use #8 x 4" screws or all threaded rods to assemble the units as shown in diagram #1 and #2.

2) To get 28.8V attach one starter lead to the + of one PowerPac, attach the other starter lead to the - of the other PowerPac as shown in diagram #3.

3) Make a jumper from a piece of the starter wire to go from the remaining + and - PowerPac terminals.

4) The PowerPacs can be charged normally without disconnecting any jumpers.

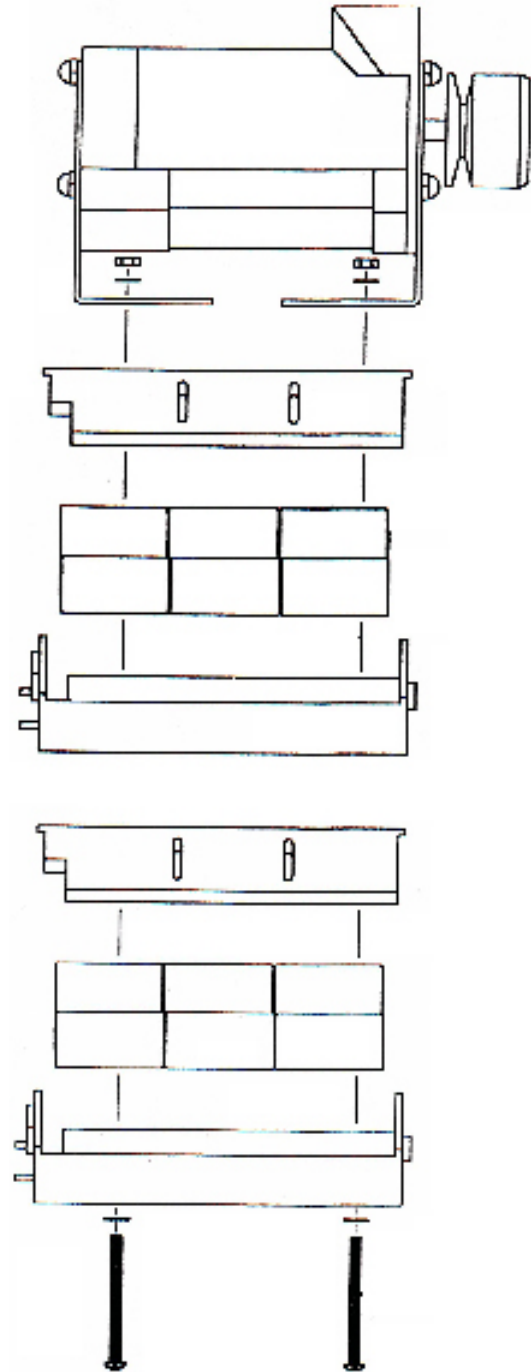
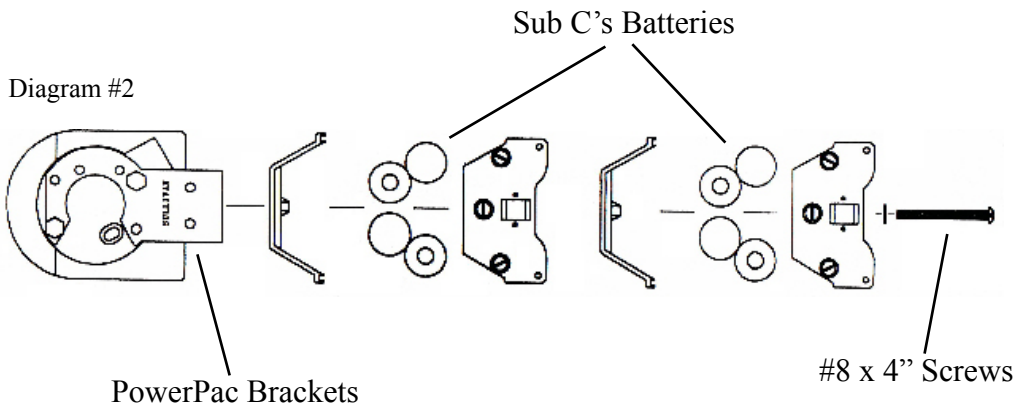


Diagram #2



24VDC Wiring Diagram

Diagram #3

